

Low pressure manometer with capsule diaphragm \varnothing 63mm



Type : **03368-S**
03369-S

Application :

For gaseous and liquid media that will not obstruct the pressure system or attack copper alloy parts.

Description :

Construction
STN EN 837

Protection
IP 43, according to STN EN 60 529

Connection
Radial (lower), axial (back)

Accuracy class
1,6 %

Type / Diameter / Connection / Thread / Accuracy class
03368-S / \varnothing 63 mm / radial / M12x1,5 (G1/4") / 1,6
03369-S / \varnothing 63 mm / axial / M12x1,5 (G1/4") / 1,6

Allowed temperature
ambient : -20 ... +60°C
medium : max. +60°C

Material
Measuring element: bronze capsule diaphragm
Connection : brass
Movement : brass
Case : stainless steel 1.4301
Visor : glass
Dial : white aluminium dial marking black
Pointer : aluminium black color

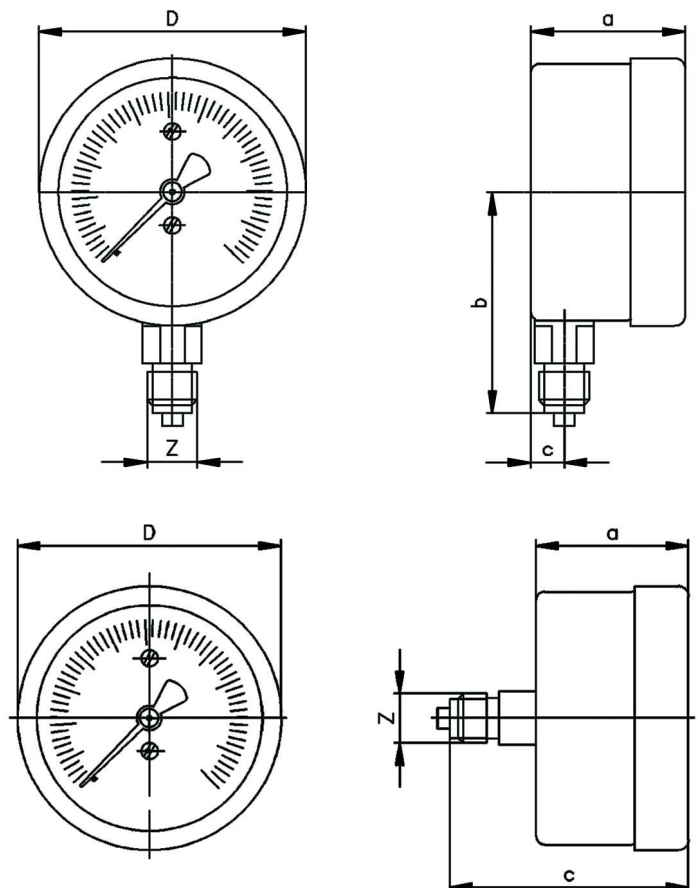
Options

- scala in units „bar“, „PSI“, and other
- atypical eventually double scala
- other connection (thread) on special request
- realization for OXYGEN

Allowed loading

Static : 75% from range
Variable : 66% from range
For a short term : 100% from range

Dimensions of manometer (mm)



TYPE	D	a	b	c	Z
03368-S	63	37	53	11	M12x1,5 (G1/4")
03369-S	63	37		54	M12x1,5 (G1/4")

Low pressure manometer with capsule diaphragm \varnothing 63mm

Type :

03368-S

03369-S



Producing ranges

Range	Code of range	03368-S	03369-S
0-4kPa	21	X	X
0-6kPa	22	X	X
0-10kPa	23	X	X
0-16kPa	24	X	X
0-25kPa	25	X	X
0-40kPa	26	X	X
-4-0kPa	27	X	X
-6-0kPa	28	X	X
-10-0kPa	29	X	X
-16-0kPa	30	X	X
-25-0kPa	31	X	X
-40-0kPa	32	X	X
-1,5-0-2,5kPa	33	X	X
-2-0-4kPa	34	X	X
-4-0-6kPa	35	X	X
-6-0-10kPa	36	X	X
-10-0-15kPa	37	X	X
-15-0-25kPa	38	X	X