

Low pressure manometer with capsule diaphragm, with radial connection

Type : **03398-S /ø100mm/
03388 /ø160mm/**

Application :

For gaseous and liquid media that will not obstruct the pressure system or attack copper alloy parts.

Description :

Construction

STN EN 837

Protection

IP 43, according to STN EN 60 529

Connection

Radial (lower)

Accuracy class

4% - 0-400Pa; -400-0Pa; -150-0-250Pa; 0-600Pa;
-600-0Pa; -200-0-400Pa;
1,6% - from 1kPa

Type / Diameter / Connection / Thread / Accuracy class

03398-S / ø 100 mm / radial / M20x1,5 (G1/2") / 1,6
03388 / ø 160 mm / radial / M20x1,5 (G1/2") / 4; 1,6

Allowed temperature

ambient : -20 ... +60°C
medium : max. +60°C

Material

Measuring element: bronze capsule diaphragm
Connection : brass
Movement : brass
Case : stainless steel 1.4301
Visor : glass
Dial : white aluminium dial marking black
Pointer : aluminium black color

Options

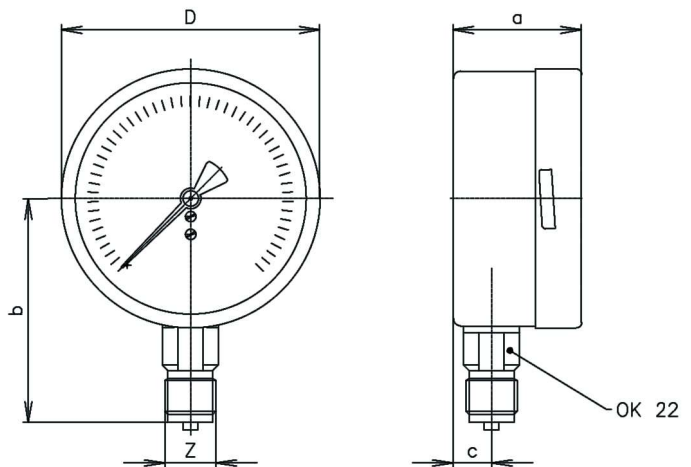
- scala in units „bar“, „PSI“, and other
- atypical eventually double scala
- other connection (thread) on special request
- realization for OXYGEN
- front or back flange



Allowed loading

Static : 75% from range
Variable : 66% from range
For a short term : 100% from range

Dimensions of manometer (mm)



TYPE	D	a	b	c	Z
03398-S	101	49	86	16	M20x1,5 (G1/2")
03388	161	49	117	16	M20x1,5 (G1/2")

Low pressure manometer with capsule diaphragm, with radial connection

Type: **03398-S /ø100mm/**
03388 /ø160mm/



Producing ranges

Range	03398-S	03388
0-400Pa		X
0-600Pa		X
0-1kPa		X
0-1,6kPa		X
0-2,5kPa		X
0-4kPa	X	X
0-6kPa	X	X
0-10kPa	X	X
0-16kPa	X	X
0-25kPa	X	X
0-40kPa	X	X
-400-0Pa		X
-600-0Pa		X
-1-0kPa		X
-1,6-0kPa		X
-2,5-0kPa		X
-4-0kPa	X	X
-6-0kPa	X	X
-10-0kPa	X	X
-16-0kPa	X	X
-25-0kPa	X	X
-40-0kPa	X	X
-150-0-250Pa		X
-200-0-400Pa		X
-400-0-600Pa		X
-0,6-0-1kPa		X
-1-0-1,5kPa		X
-1,5-0-2,5kPa	X	X
-2-0-4kPa	X	X
-4-0-6kPa	X	X
-6-0-10kPa	X	X
-10-0-15kPa	X	X
-15-0-25kPa	X	X