

FEATURES

- 2 isolate, 1 equalize & 2 vent valves (plugged vent provided)

APPLICATION

- Isolation & venting of gauges, switches & transmitters
- High pressure line shut off
- Liquid & gas services

Direct / Remote Mounting

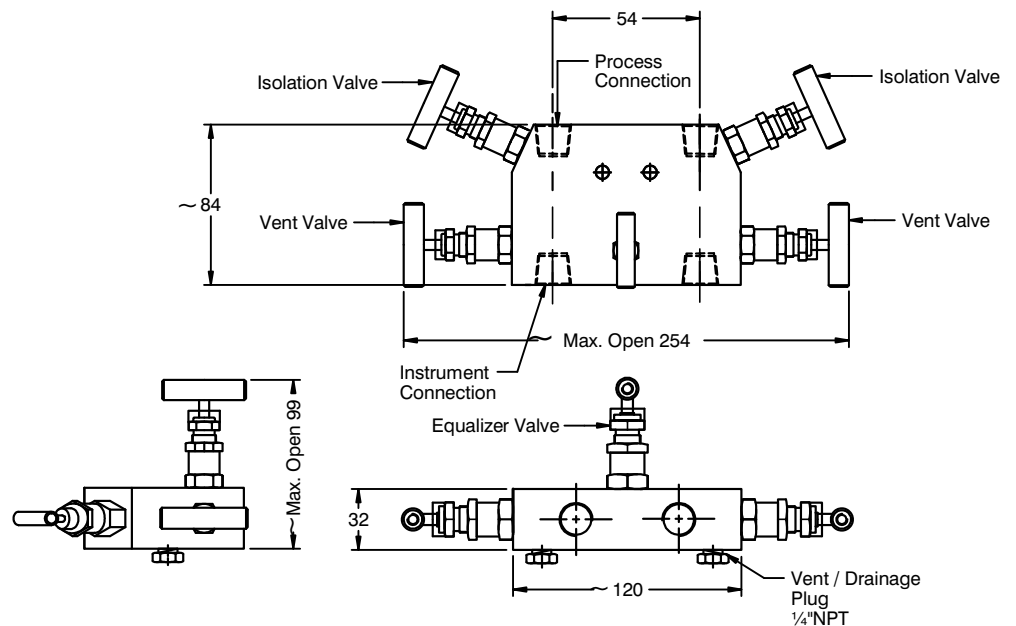


STANDARD SPECIFICATIONS

Mounting	:	Remote
Pattern	:	16
Wetted parts	:	AISI 316 SS
Instrument connection	:	1/2" NPT (F) x 2 Nos.
Stem packing	:	PTFE
Process connection	:	1/2" NPT (F) x 2 Nos
Stem	:	Conical metal tip
Max. working pressure	:	413.7 bar (6000 psi)
Max. working temperature	:	240°C
"T" bar handle	:	AISI 304 SS
Drain port	:	1/4" NPT (F) x 2 Nos., plugged

DIMENSIONAL DRAWING

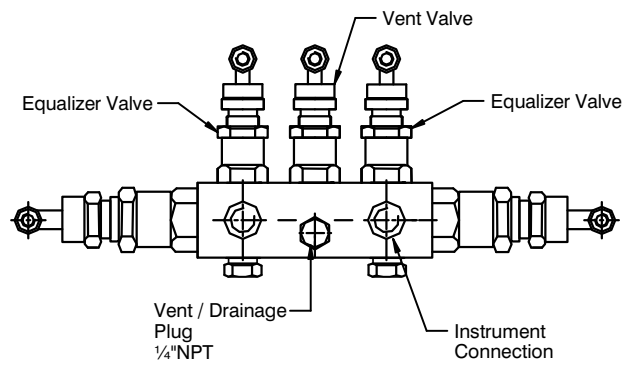
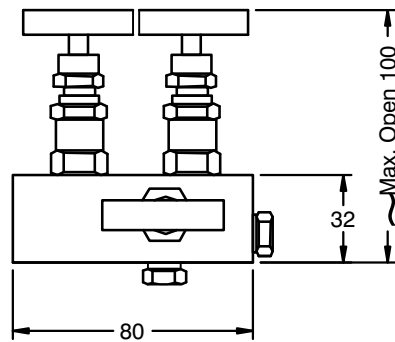
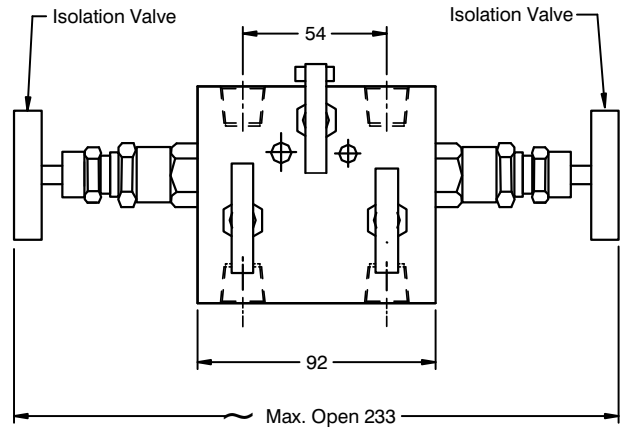
Remote mount - Pattern 1



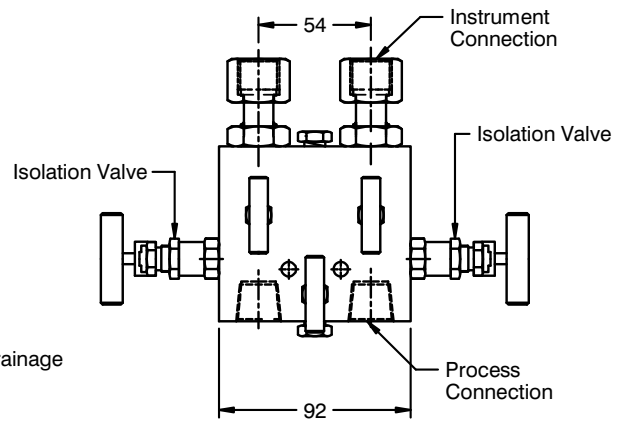
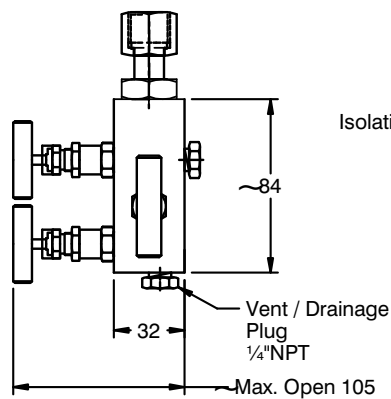
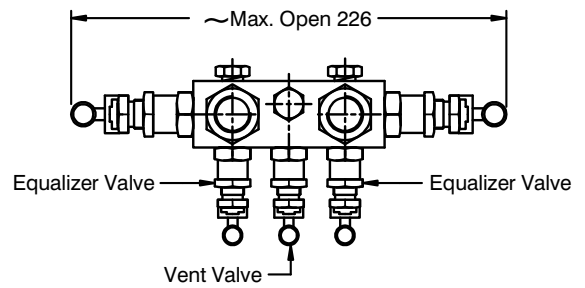
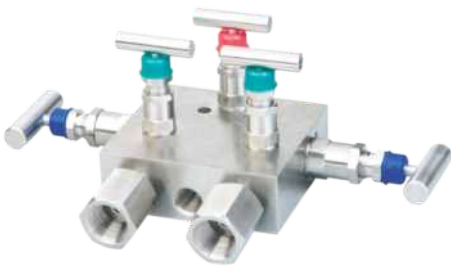
All dimensions are in mm.

DIMENSIONAL DRAWING

Remote mount - Pattern 2

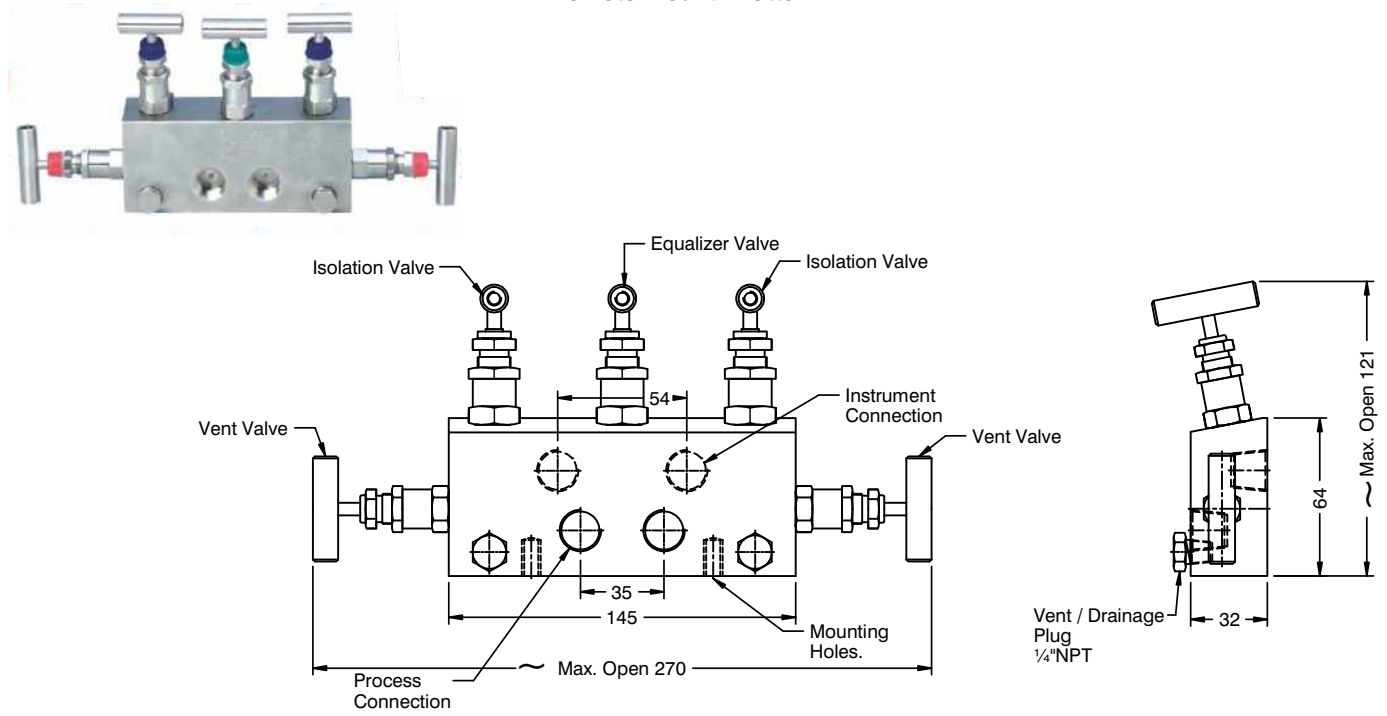


Remote mount - Pattern 3

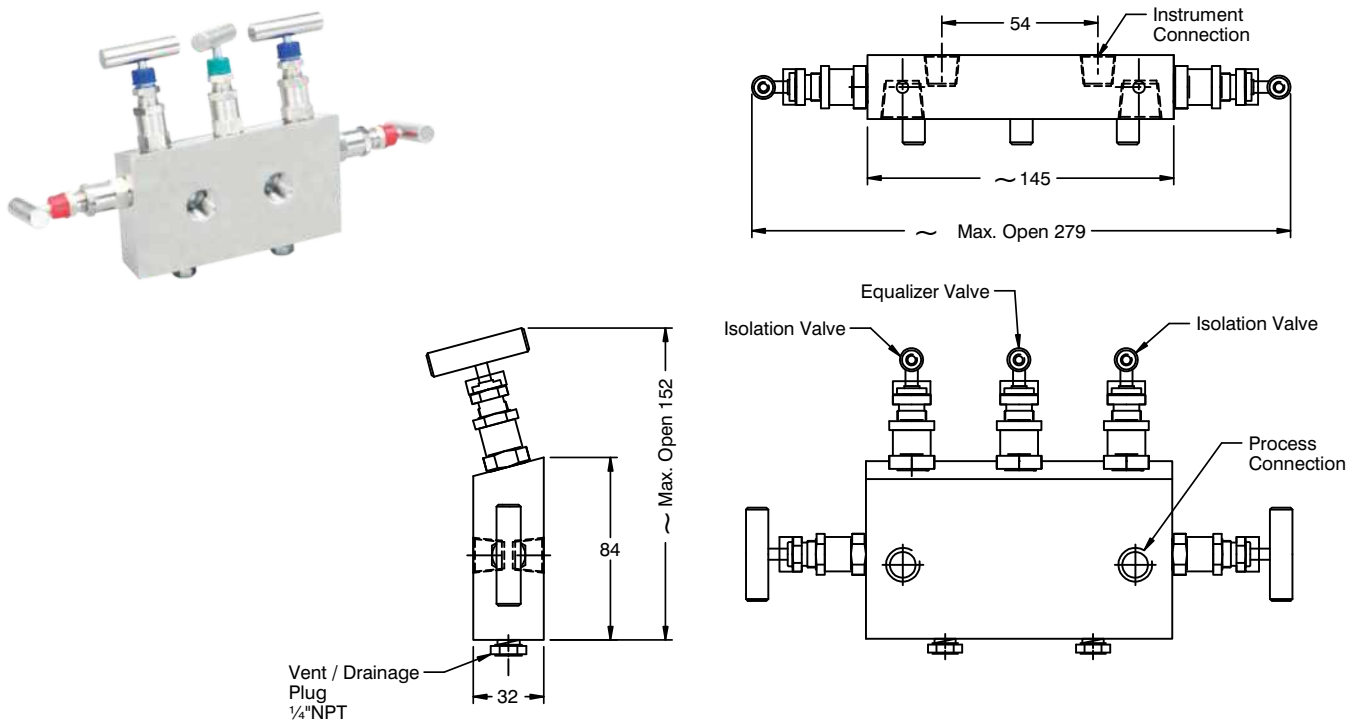


DIMENSIONAL DRAWING

Remote mount - Pattern 4

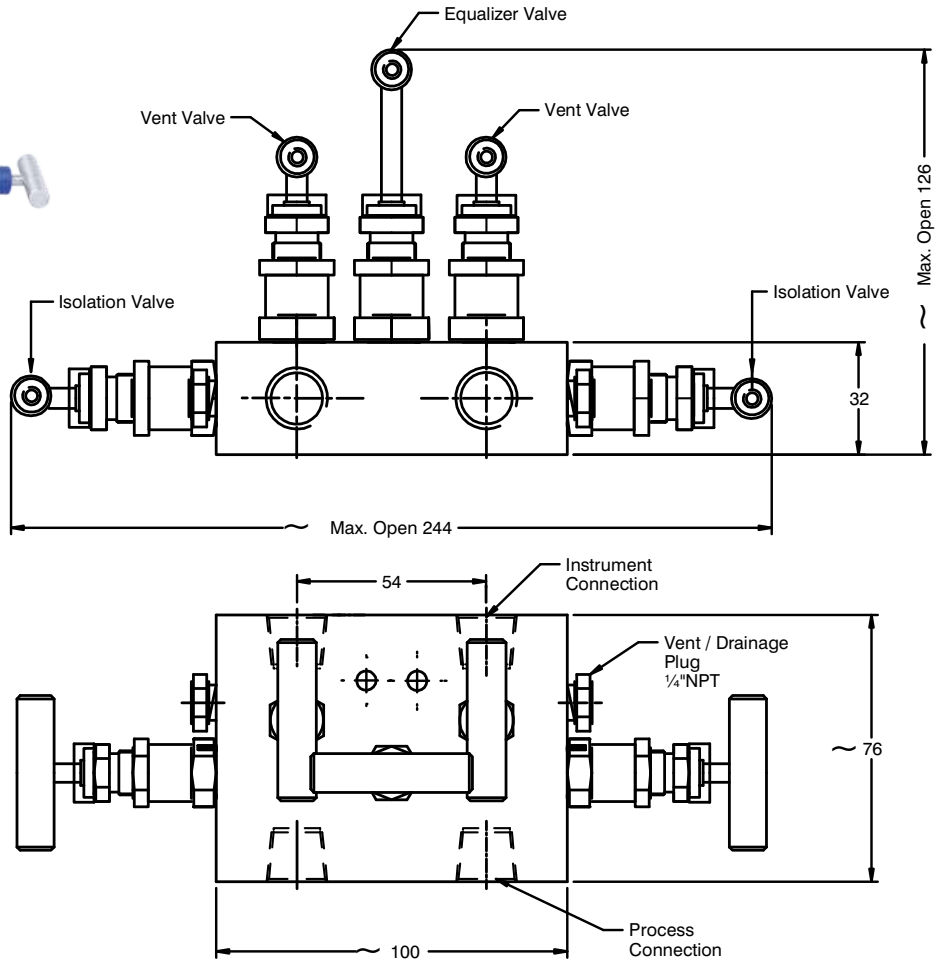


Remote mount - Pattern 5

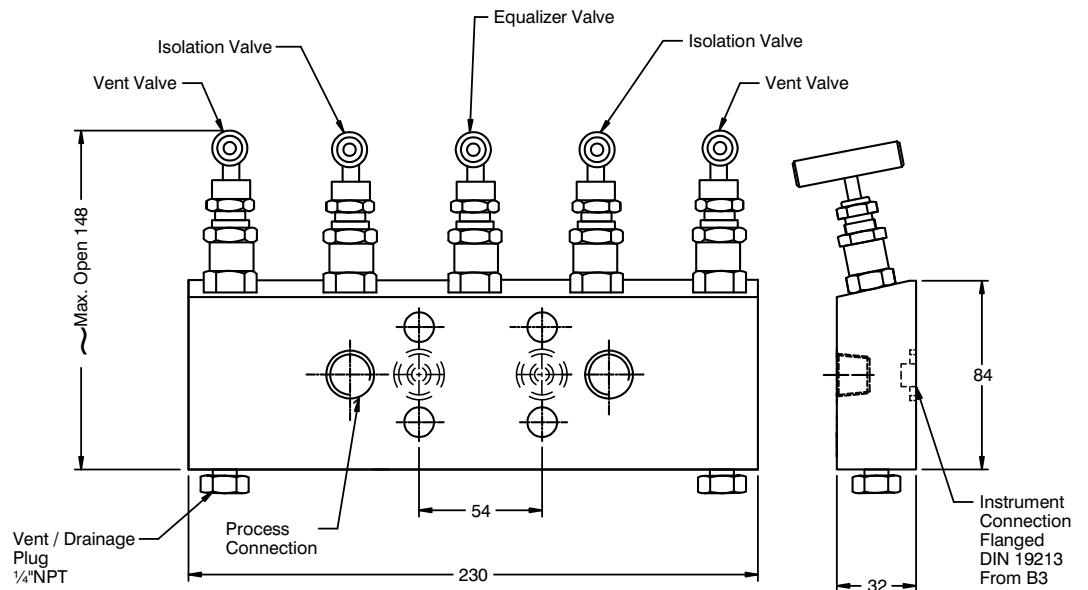


DIMENSIONAL DRAWING

Remote mount - Pattern 6



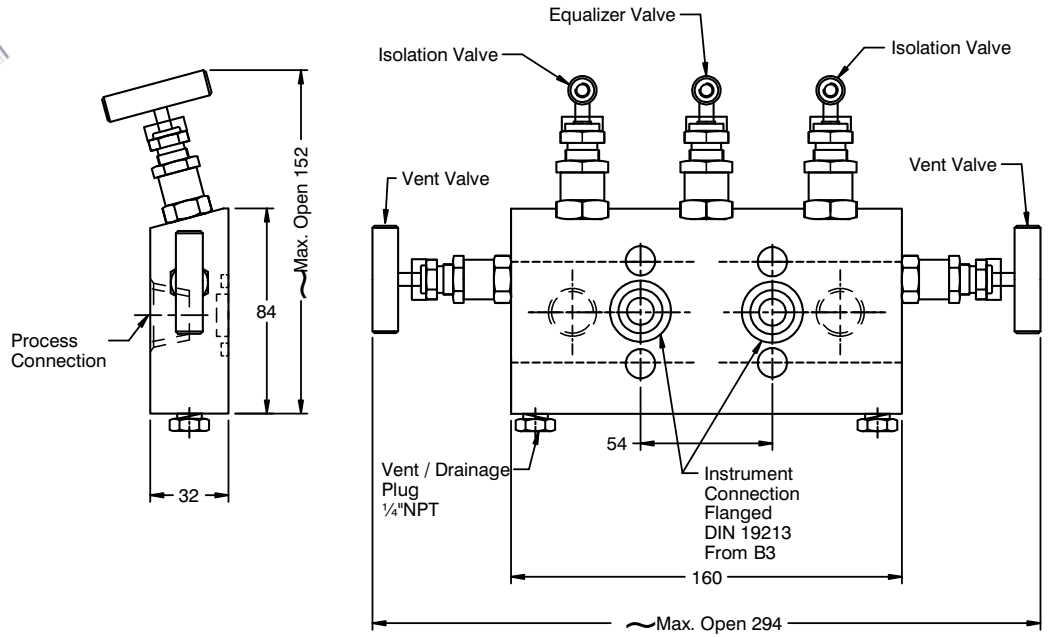
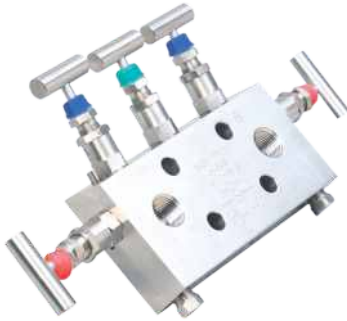
Direct mount - Pattern 1



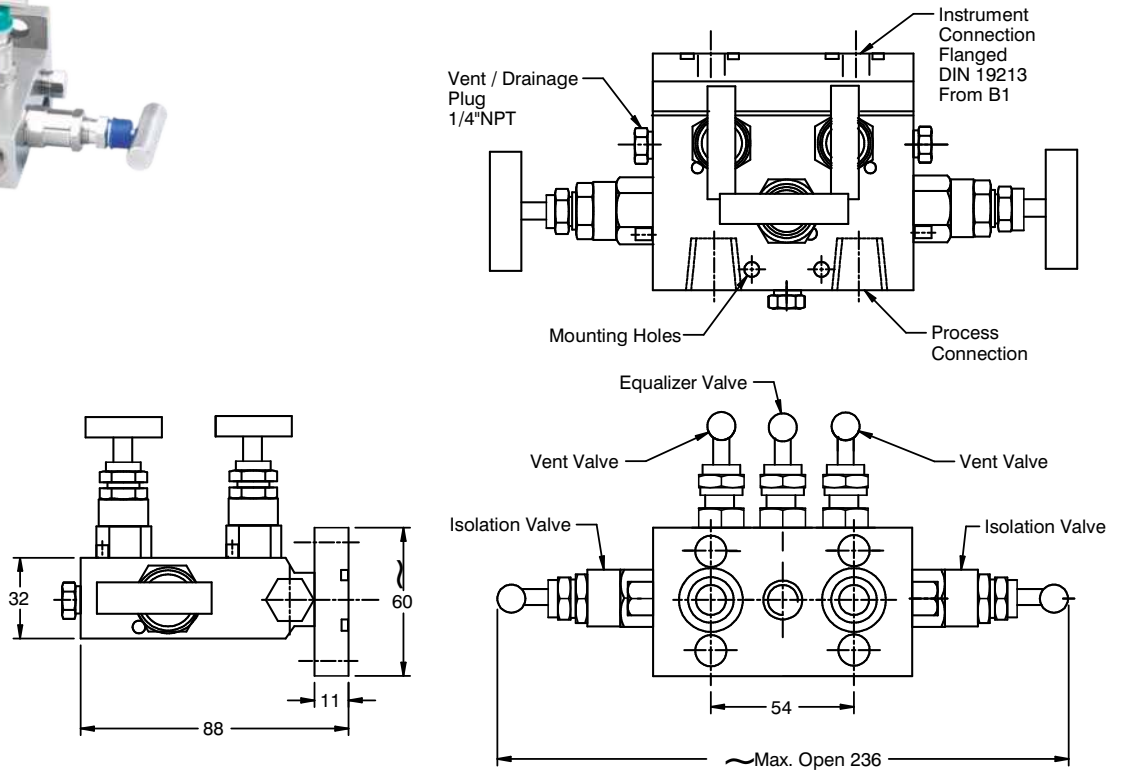
All dimensions are in mm.

DIMENSIONAL DRAWING

Direct mount - Pattern 2

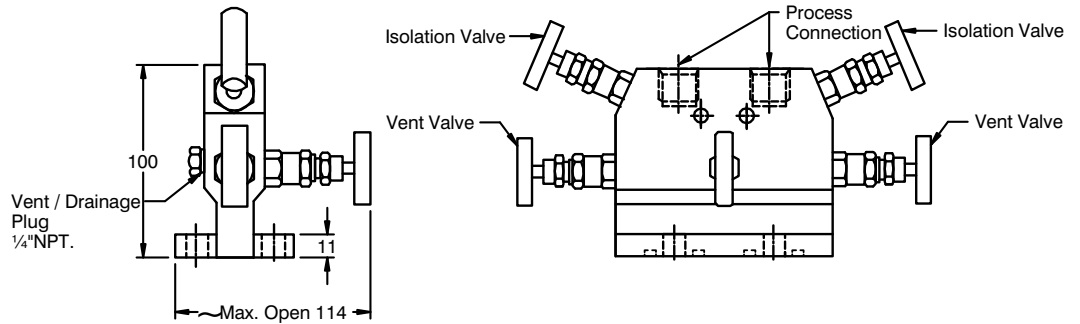
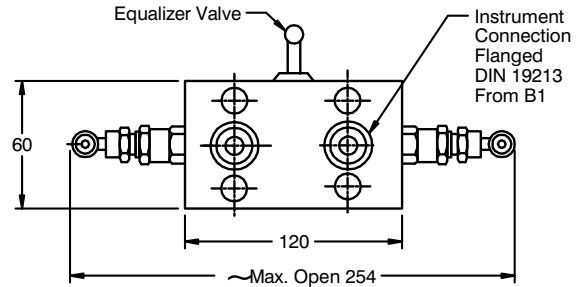


Direct mount - Pattern 3

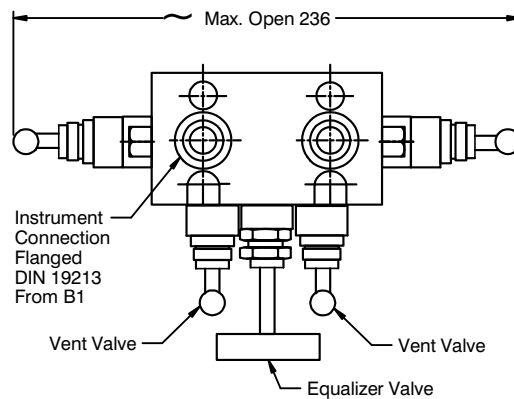
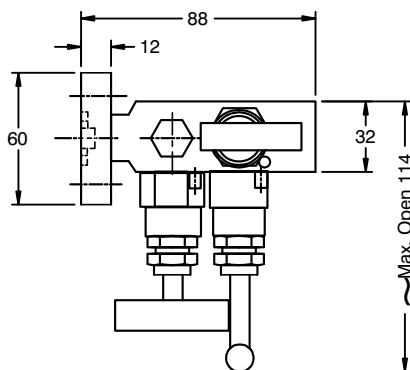
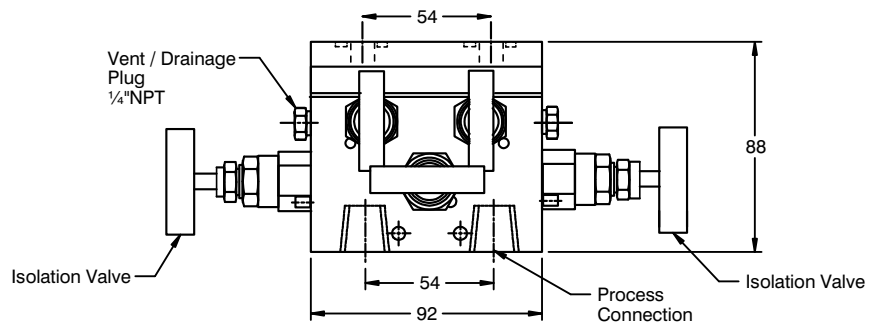


DIMENSIONAL DRAWING

Direct mount - Pattern 4

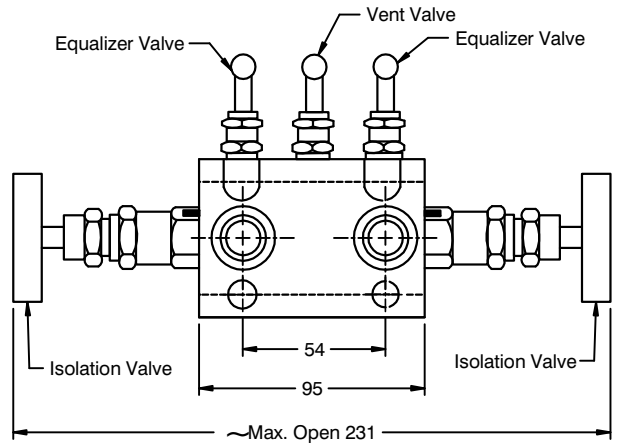
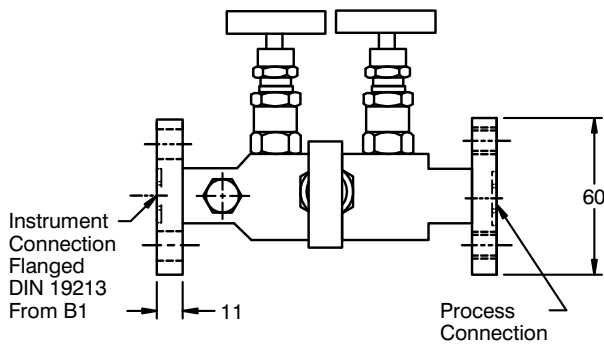
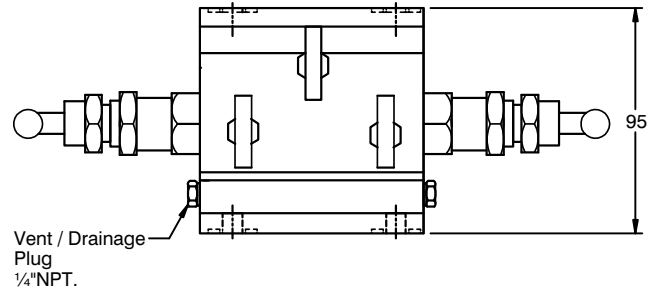


Direct mount - Pattern 5

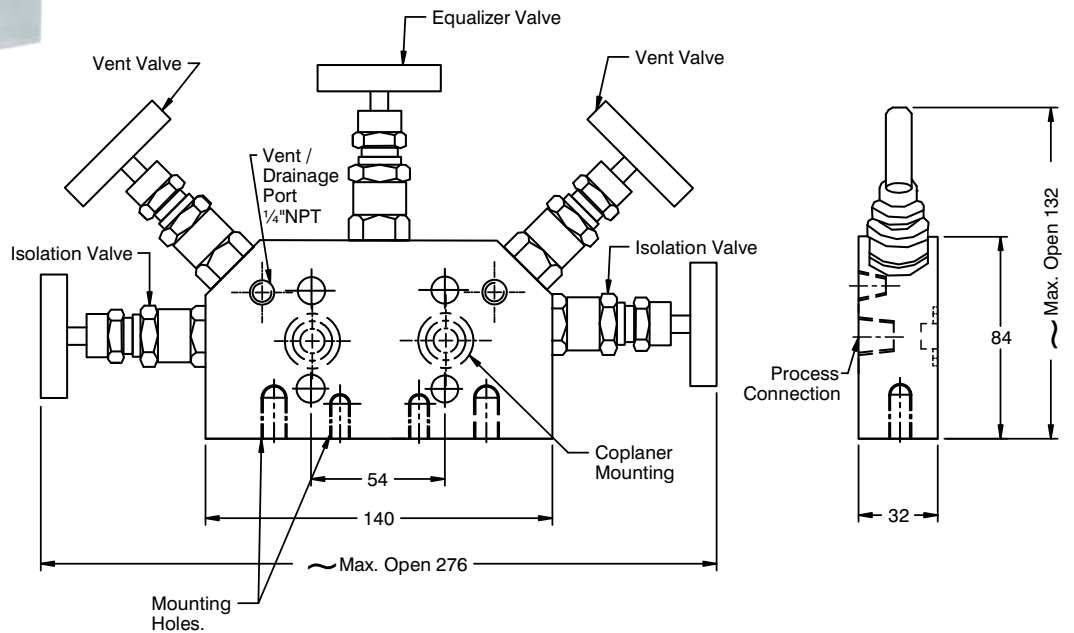


DIMENSIONAL DRAWING

Direct mount - Pattern 6



Direct mount - Pattern 7



All dimensions are in mm.

ORDERING CODES

1. MOUNTING

D	Direct
R	Remote

R

2. TYPE

1	Pattern 1
2	Pattern 2
3	Pattern 3
4	Pattern 4
5	Pattern 5
6	Pattern 6
7	Pattern 7

6

3. WETTED PARTS

MB	Carbon Steel / ASTM A105
MC	AISI 304 SS
MF	AISI 316 SS
MG	AISI 316L SS
MM	Monel 400
MN	Monel K-500
MO	Hastelloy C-276

MF

4. INSTRUMENT CONNECTION

11N	1/8" NPT (M)	12N	1/4" NPT (M)
13N	3/8" NPT (M)	14N	1/2" NPT (M)
11B	1/8" BSP (M)	12B	1/4" BSP (M)
13B	3/8" BSP (M)	14B	1/2" BSP (M)
01N	1/8" NPT (F)	02N	1/4" NPT (F)
03N	3/8" NPT (F)	04N	1/2" NPT (F)
01B	1/8" BSP (F)	02B	1/4" BSP (F)
03B	3/8" BSP (F)	04B	1/2" BSP (F)
FL5	Flange (DIN 19213 Form B1)		
CL5	Coplanar (DIN 19213 Form B2)		
FI6	Flange (DIN 19213 Form B3)		

04N

5. STEM PACKING

P	PTFE
G	Grafoil

P

6. PROCESS CONNECTION

11N	1/8" NPT (M)	12N	1/4" NPT (M)
13N	3/8" NPT (M)	14N	1/2" NPT (M)
11B	1/8" BSP (M)	12B	1/4" BSP (M)
13B	3/8" BSP (M)	14B	1/2" BSP (M)
01N	1/8" NPT (F)	02N	1/4" NPT (F)
03N	3/8" NPT (F)	04N	1/2" NPT (F)
01B	1/8" BSP (F)	02B	1/4" BSP (F)
03B	3/8" BSP (F)	04B	1/2" BSP (F)
1SW	1/8" Socket-Weld		
2SW	1/4" Socket-Weld		
4SW	1/2" Socket-Weld		
5SW	3/4" Socket-Weld		

04N

7. OTHER OPTIONS

XY	Circular Handle
TN	Tested to NACE standards
TO	Certification for Oxygen service
TM	Material test certificate 2.2
TH	Hydro test certificate
TC	Material test certificate 3.1
XL	Marking by laser

XL

Ordering Example : M105-R-6-MF-04N-P-04N-XL

APPLICABLE ACCESSORIES

A502	Mounting Bracket, three/five valve manifold
A506	Mounting bolts
A507	Ring for flanged seal
A508	Sealing gasket

NOTES:

1. Other connections are available, please contact factory for details.
2. Valve stem dust covers shall be identified with color codes according to their function as Blue = ISOLATE, Green = EQUALIZE & Red = DRAIN / VENT.
3. For option "F5 = Flange (DIN 19213 Form B1)", the CC distance shall be 54 mm.