

## FEATURES

- All SS measuring system
- Socket-case, direct welded
- CE marked contacts
- Liquid filled versions

## APPLICATION

- Pumps & motor controls
- Water treatment plants
- Hydraulic & pneumatics
- Chemical & petrochemicals
- Pharmaceutical industries
- HVAC & compressor industries
- Refrigeration

### Hi Version Case



### STANDARD PARAMETERS

Accuracy	: CL 1.0
Ambient temperature	: -40...+65°C (without dampening liquid) : -20...+65°C (with dampening liquid)
Service temperature	: 200°C max.
Pressure limits	: Steady pressure up to FS value : Fluctuating pressure up to 90% of FS value
Weld joints	: TIG argon arc welding

### MATERIAL OF CONSTRUCTION

Sensing element	: Bourdon Tube (<100 bar : C - type , >100 bar : Helical)
Case & Ring material	: AISI 304 SS (Bayonet type)
Bourdon tube & Shank	: AISI 316L SS (Shank welded directly to case)
Movement mechanism	: AISI 304 SS
Dial	: Aluminum, black graduation on white background
Pointer	: Micro-zero adjustable, aluminum, black powder coated
Gaskets, Blow off disc & filling plug	: Neoprene
Window	: Shatterproof safety glass

### STANDARD SPECIFICATIONS

Dial size	: DN100 / DN150
Range	: -1...0...1,600 bar
Mounting pattern	: Direct, Bottom connection
Process connection	: 1/2" NPT (M)
Ingress protection	: IP 65
Execution	: Dry
Switch	: 1NO; Make contact
Electrical termination	: 4 pin PG 13.5 connector

### STANDARD SPECIFICATIONS : DAMPENING LIQUID FILLED

Window	: Shatterproof safety glass
Dampening liquid	: Dielectric oil
Gaskets, Blow off disc & filling plug	: Viton

### TEMPERATURE EFFECT

When temperature of the measuring system deviates from reference temperature (+20°C) max error  $\pm 0.4\%$  / 10K of true scale value.

### NOTES

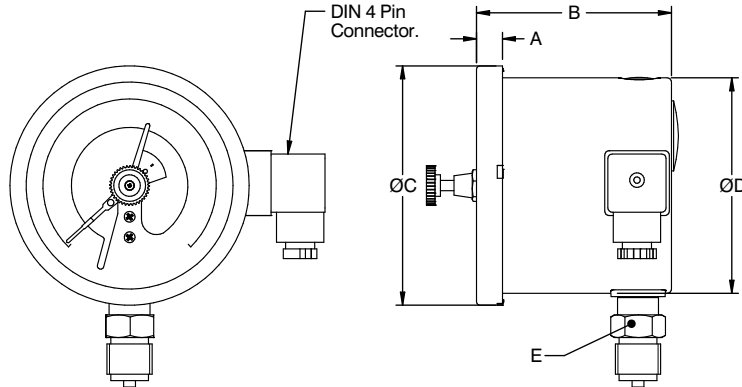
1. Gauge accuracy shall be CL 1.0. but switching accuracy shall be CL 5.0

## REFERENCE

EN 837-1

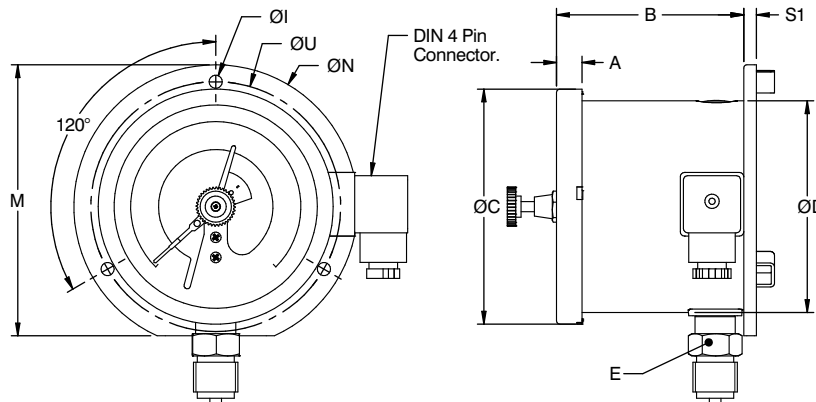
DIMENSIONAL DRAWING

Type B0



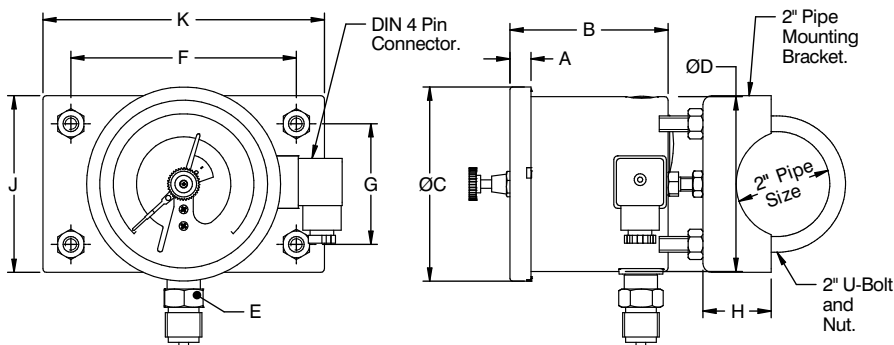
DN	A	B	ØC	ØD	E	Weight (grams)
100	12	90	111	100	A/F-22	801
150	15	90	161	149	A/F-22	1195

Type B1



DN	A	B	ØC	ØD	E	ØI	M	ØN	S1	ØU	Weight (grams)
100	12	94	111	100	SQ.22	6	128	134	6	118	908
150	15	94	161	149	SQ.22	6	172.4	186	6	168	1375

Type B2

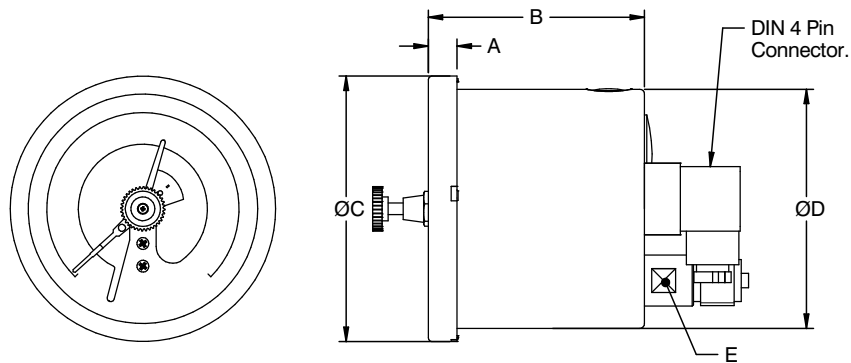


DN	A	B	ØC	ØD	E	F	G	H	J	K	Weight (grams)
100	12	90	111	100	SQ.22	129	69	39	101	161	1875
150	15	90	161	149	SQ.22	129	69	39	101	161	2269

All dimensions are in mm.

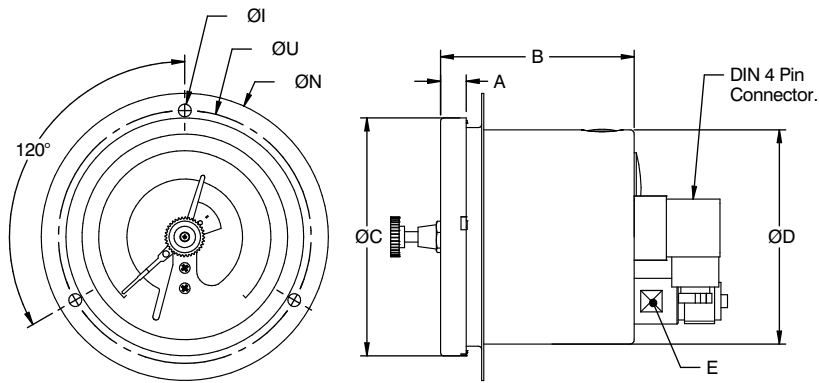
DIMENSIONAL DRAWING

Type L0



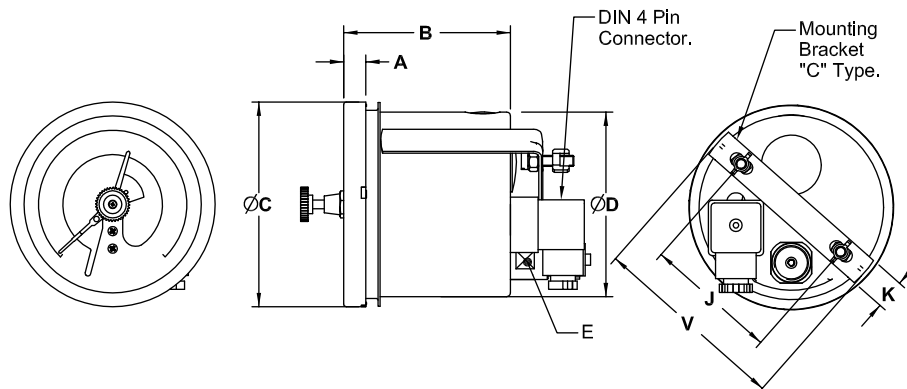
DN	A	B	ØC	ØD	E	Weight (grams)
100	12	90	111	100	A/F-22	801
150	15	90	161	149	A/F-22	1195

Type L1



DN	A	B	ØC	ØD	E	ØI	ØN	ØU	Weight (grams)
100	12	90	111	100	SQ.22	6	134	118	833
150	15	90	161	149	SQ.22	6	186	168	1269

Type L2



DN	A	B	ØC	ØD	E	J	K	V	Weight (grams)
100	12	90	111	100	SQ.22	72	16	108	813
150	15	90	161	149	SQ.22	106.5	16	158.5	1284

All dimensions are in mm.

**ORDERING CODES**

<b>1. DIAL SIZE</b>		<b>04</b>	<b>8. ELECTRIC CONTACT</b>		<b>CD1</b>
<b>04</b>	100 mm / 4"		<b>CD1</b>	Break contact (1NC)	
<b>06</b>	150 mm / 6"	<b>XXX</b>	<b>CD2</b>	Make contact (1NO)	
<b>2. RANGE</b>			<b>XXX</b>	Refer "Range Table"	
<b>3. MOUNTING PATTERN</b>		<b>B0</b>	<b>CD3</b>	2 x Break contact (2NC)	
<b>B0</b>	Direct, Bottom connection		<b>CD4</b>	2 x Make contact (2NO)	
<b>B1</b>	Wall/Surface/Projection mounting, Bottom connection	<b>14N</b>	<b>CD5</b>	1 Break + 1 Make (1NC+1NO)	
<b>B2</b>	2" Pipe/Yoke mounting, Bottom connection		<b>CD6</b>	1 Make + 1 Break (1NO+1NC)	
<b>L0</b>	Lower, Back connection	<b>ER</b>	<b>CD7</b>	SPDT	
<b>L1</b>	Panel/Front flange mounting, Lower Back connection		<b>CD8</b>	DPDT	
<b>L2</b>	Panel/bracket mounting, Lower Back connection	<b>EA</b>	<b>CI1</b>	Break contact (1NC)	
<b>4. PROCESS CONNECTION</b>			<b>EA</b>	Make contact (1NO)	
<b>12B</b>	1/4" BSP (M)	<b>RR</b>	<b>CI3</b>	2 x Break contact (2NC)	
<b>12N</b>	1/4" NPT (M)		<b>CI4</b>	2 x Make contact (2NO)	
<b>13B</b>	3/8" BSP (M)	<b>XX</b>	<b>CI5</b>	1 Break + 1 Make (1NC+1NO)	
<b>14B</b>	1/2" BSP (M)		<b>CI6</b>	1 Make + 1 Break (1NO+1NC)	
<b>14M</b>	M20 X 1.5 mm (M)	<b>9. OTHER OPTIONS</b>		<b>XX</b>	
<b>14N</b>	1/2" NPT (M)	<b>BA</b>	Case & Ring in AISI 316 SS (B0)		
<b>5. INGRESS PROTECTION</b>		<b>EA</b>	<b>BB</b>	Case & Ring in AISI 316 SS (B1)	
<b>ER</b>	IP 65		<b>BC</b>	Case & Ring in AISI 316 SS (B2)	
<b>6. EXECUTION</b>		<b>EA</b>	<b>BK</b>	Case & Ring in AISI 316 SS (L0)	
<b>EA</b>	Dry		<b>BL</b>	Case & Ring in AISI 316 SS (L1)	
<b>EF</b>	Dry but fillable, dielectric oil <sup>4</sup>	<b>RR</b>	<b>BM</b>	Case & Ring in AISI 316 SS (L2)	
<b>EK</b>	Dampening liquid, dielectric oil <sup>4</sup>		<b>EN</b>	Dampening screw, AISI 316 SS	
<b>7. SWITCH CATEGORY</b>		<b>RR</b>	<b>GL</b>	AISI 316 SS movement	
<b>RS</b>	Precision contacts		<b>GM</b>	Dampened movement	
<b>RT</b>	ATEX / CE approved contacts	<b>XF</b>	SS tag plate, AISI 304 SS		
		<b>XG</b>	SS tag plate, AISI 316 SS		
		<b>XR</b>	Custom designed dial		
		<b>XT</b>	Dial tag marking		
		<b>TA</b>	5 - point calibration certificate		
		<b>TC</b>	Material test certificate 3.1		
		<b>TE</b>	CE certificate		
		<b>TM</b>	Material test certificate 2.2		
		<b>TN</b>	Tested to NACE standards		
		<b>TO</b>	Certification for Oxygen service		
		<b>RA</b>	Rubber parts, Viton		
		<b>RN</b>	Rubber parts, NBR		
		<b>G6</b>	6 pin, M20x1.5mm connector		

**Ordering Example : P502-04-XXX-B0-14N-ER-EA-RR-CD1-XX**

**NOTES**

- For other connections, please contact factory.
- Economic contacts & Precision contact are available in Electric contact types CS1...CS6 & CD1...CD6 respectively.
- ATEX / CE approved contacts are available in Electric contact type CI1...CI6.
- Rubber parts shall be in Viton.

© 2014 ITEC All rights reserved. Technical changes and errors are expected. Rev 00