

FEATURES

- Back seating to prevent stem blow-out

APPLICATION

- High pressure line shut off
- Instrument isolation
- Liquid & gas services

Isolation

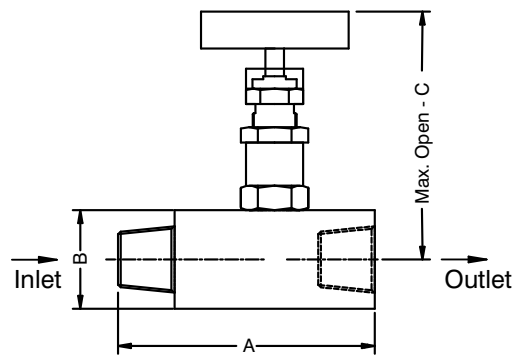


STANDARD SPECIFICATIONS

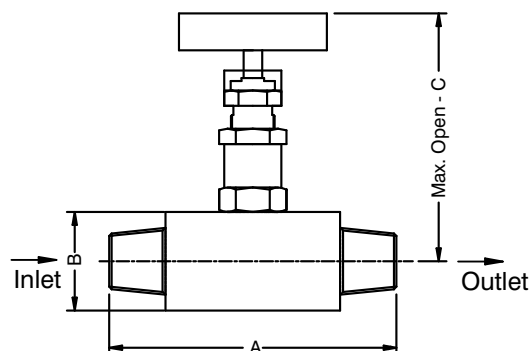
Stem type	: Hard seated stem
Wetted parts	: AISI 316 SS
Instrument connection	: 1/2" NPT (F)
Stem packing	: PTFE
Process connection	: 1/2" NPT (F)
Valve form	: Direct
Stem	: Conical metal tip
Max. working pressure	: 413.7 bar (6000 psi)
Max. working temperature	: 240°C
"T" bar handle	: AISI 304 SS

DIMENSIONAL DRAWING

MALE X FEMALE

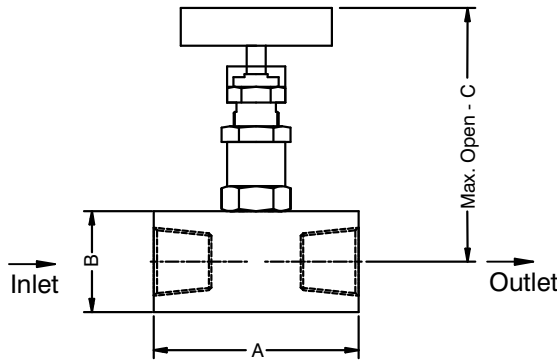


MALE X MALE



DIMENSIONAL DRAWING

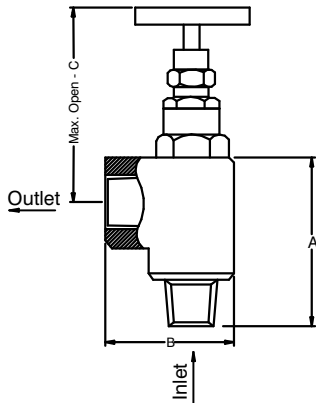
FEMALE X FEMALE



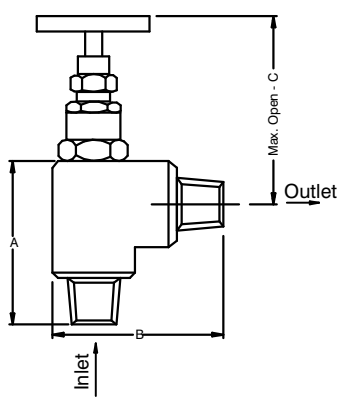
Connections		Length A	Width B	Max. open - C Stem Type		
Size	Type			HS	SS	RP
NPT 1/8"	F x F	50	20	55	65	64.5
	M x F	55	20	55	65	64.5
	M x M	60	20	55	65	64.5
NPT 1/4"	F x F	55	25	65	65	64.5
	M x F	65	25	65	65	64.5
	M x M	60	25	65	65	64.5
NPT 3/8"	F x F	55	25	65	65	64.5
	M x F	65	25	65	65	64.5
	M x M	65	25	65	65	64.5
NPT 1/2"	F x F	65	32	86.6	93.5	94
	M x F	75	32	86.6	93.5	94
	M x M	70	32	86.6	93.5	94
NPT 3/4"	F x F	70	38	88.6	96.5	97
	M x F	75	38	88.6	96.5	97
	M x M	80	38	88.6	96.5	97
NPT 1"	F x F	90	45	98	101	101
	M x F	105	45	98	101	101
	M x M	105	45	98	101	101

Angle Form

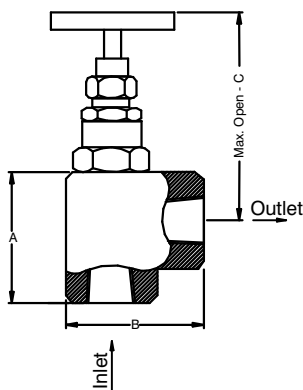
MALE X FEMALE



MALE X MALE



FEMALE X FEMALE



Connections		A	B	Max. open - C Stem Type	
Size	Type			HS	SS
NPT 1/4"	F x F	32	32	62	63
	M x F	48	32	62	63
	M x M	48	48	62	63
NPT 3/8"	F x F	32	32	62	63
	M x F	48	32	62	63
	M x M	48	48	62	63
NPT 1/2"	F x F	50	50	86.6	95.5
	M x F	70	50	86.6	95.5
	M x M	70	70	86.6	95.5

All dimensions are in mm

ORDERING CODES

1. STEM TYPE

HS	Hard seated stem (Metal)
SS	Soft seated stem (Derlin)
RP	Rising plug stem (Derlin)

HS

2. WETTED PARTS

MB	Carbon Steel / ASTM A105
MC	AISI 304 SS
MF	AISI 316 SS
MG	AISI 316L SS
MM	Monel 400
MN	Monel K-500
MO	Hastelloy C-276

MF

3. INSTRUMENT CONNECTION

11N	1/8" NPT (M)
12N	1/4" NPT (M)
13N	3/8" NPT (M)
14N	1/2" NPT (M)
11B	1/8" BSP (M)
12B	1/4" BSP (M)
13B	3/8" BSP (M)
14B	1/2" BSP (M)
01N	1/8" NPT (F)
02N	1/4" NPT (F)
03N	3/8" NPT (F)
04N	1/2" NPT (F)
01B	1/8" BSP (F)
02B	1/4" BSP (F)
03B	3/8" BSP (F)
04B	1/2" BSP (F)
1SW	1/8" Socket-Weld
2SW	1/4" Socket-Weld
4SW	1/2" Socket-Weld
5SW	3/4" Socket-Weld

04N

4. STEM PACKING

P	PTFE
G	Grafoil

P

5. PROCESS CONNECTION

11N	1/8" NPT (M)
12N	1/4" NPT (M)
13N	3/8" NPT (M)
14N	1/2" NPT (M)
11B	1/8" BSP (M)
12B	1/4" BSP (M)
13B	3/8" BSP (M)
14B	1/2" BSP (M)
01N	1/8" NPT (F)
02N	1/4" NPT (F)
03N	3/8" NPT (F)
04N	1/2" NPT (F)
01B	1/8" BSP (F)
02B	1/4" BSP (F)
03B	3/8" BSP (F)
04B	1/2" BSP (F)
1SW	1/8" Socket-Weld
2SW	1/4" Socket-Weld
4SW	1/2" Socket-Weld
5SW	3/4" Socket-Weld

04N

6. VALVE FORM

A	Angular
D	Direct

D

7. OTHER OPTIONS

XY	Circular Handle
TN	Tested to NACE standards
TO	Certification for Oxygen service
TM	Material test certificate 2.2
TH	Hydro test certificate
TC	Material test certificate 3.1
XL	Marking by laser

XL

Ordering Example : V101-HS-MF-04N-P-04N-D-XL

NOTES:

- Other connections are available, please contact factory for details.
- Valve stem dust covers shall be identified with color codes according to their function as ; Blue = ISOLATE