

FEATURES

- Compact design
- Stainless steel case
- Zero adjustment on dial
- Low pressure application (<0.6 mbar)

APPLICATION

- Food & Beverages
- Clean- air applications

Capsule



STANDARD PARAMETERS

Accuracy	:	CL 1.6
Ambient temperature	:	-40...+65°C
Service temperature	:	100°C max.
Pressure limits	:	Steady pressure up to 75% of FS value, No over-pressure
Weld joints	:	Silver alloy brazing

MATERIAL OF CONSTRUCTION

Sensing element	:	Welded capsule
Case & Ring material	:	AISI 304 SS (Bayonet type)
Capsule	:	Cu- alloy
Shank	:	Cu- alloy
Movement mechanism	:	Cu- alloy
Dial	:	Aluminum, black graduation on white background with external zero adjustment on dial
Pointer	:	Fixed, aluminum, black powder coated
Gaskets, Blow off disc & filling plug	:	Neoprene
Window	:	Sheet glass

STANDARD SPECIFICATIONS

Dial size	:	DN63 / DN100 / DN125 / DN150
Range	:	-600...25...600 mbar
Mounting pattern	:	Direct, Bottom connection
Process connection	:	½" NPT (M)
Ingress protection	:	IP 54
Execution	:	Dry

TEMPERATURE EFFECT

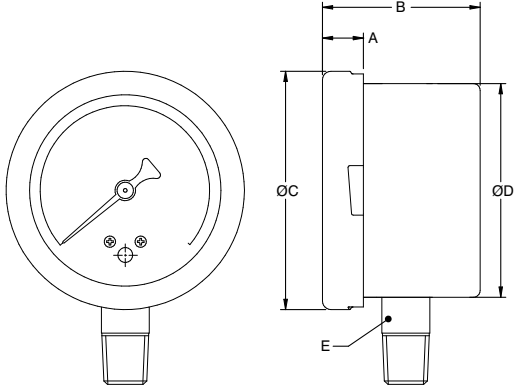
When temperature of the measuring system deviates from reference temperature (+20°C) max error $\pm 0.4\%$ / 10K of true scale value.

REFERENCE

EN 837-3

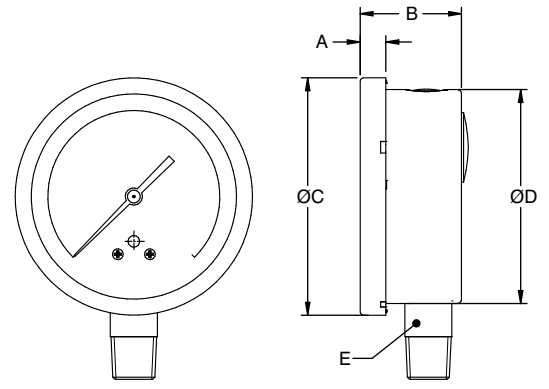
DIMENSIONAL DRAWING

Type B0



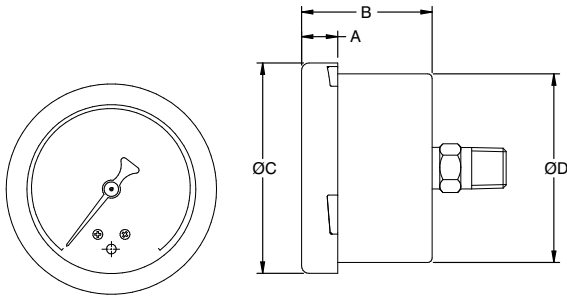
DN	A	B	ØC	ØD	E	Weight (grams)
63	12	43	70	62.5	SQ.14	230

Type B0



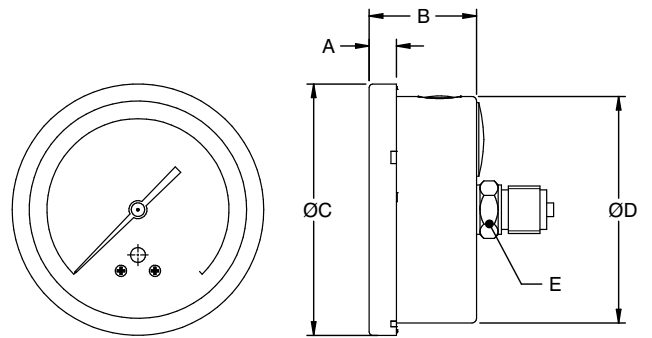
DN	A	B	ØC	ØD	E	Weight (grams)
100	12	48	111	100	SQ.22	523
125	15	48	129	118.5	SQ.22	714
150	15	48	161	149	SQ.22	932

Type R0



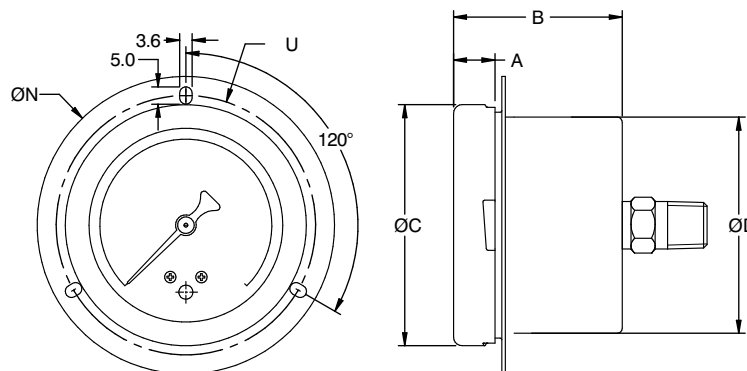
DN	A	B	ØC	ØD	Weight (grams)
63	12	43	69.7	62.5	230

Type R0



DN	A	B	ØC	ØD	E	Weight (grams)
100	12	48	111	100	SQ.22	526
125	15	48	129	118.5	SQ.22	714
150	15	48	161	149	SQ.22	920

Type R2



DN	A	B	ØC	ØD	ØN	ØU	Weight (grams)
63	12	43	69.7	62.5	86	75	240

All dimensions are in mm.

ORDERING CODES

1. DIAL SIZE		04	6. EXECUTION		EA
25	63 mm / 2½"		EA	Dry	
04	100 mm / 4"				
06	150 mm / 6"				
2. RANGE		XXX	7. OTHER OPTIONS		XX
XXX	Refer "Range Table"		BA	Case & Ring in AISI 316 SS (B0)	
3. MOUNTING PATTERN		B0	BB	Case & Ring in AISI 316 SS (B1)	
B0	Direct, Bottom connection		BD	Case & Ring in AISI 316 SS (B3)	
R0	Centre, Back connection		BG	Case & Ring in AISI 316 SS (R0)	
R2	Panel/Front flange mounting, Centre back connection		BI	Case & Ring in AISI 316 SS (R2)	
4. PROCESS CONNECTION		14N	BK	Case & Ring in AISI 316 SS (L0)	
12B	¼" BSP (M)		BL	Case & Ring in AISI 316 SS (L1)	
12N	¼" NPT (M)		BM	Case & Ring in AISI 316 SS (L2)	
13B	3/8" BSP (M)		EO	Dampening screw, Brass	
14B	½" BSP (M)		G8	Painted steel case	
14M	M20 X 1.5 mm (M)		GB	Plexi glass	
14N	½" NPT (M)	GC	Shatterproof safety glass		
5. INGRESS PROTECTION		EV	RW	Vent plug, ON-OFF type	
EV	IP 54		TA	5 - point calibration certificate	
			TC	Material test certificate 3.1	
			TE	CE certificate	
			TM	Material test certificate 2.2	
			TO	Certification for Oxygen service	
			XF	SS tag plate, AISI 304 SS	
			XG	SS tag plate, AISI 316 SS	
			XR	Custom designed dial	
			XT	Dial tag marking	

Ordering Example : P603-04-XXX-B0-14N-EV-EA

NOTES

1. For other connections, please contact factory.
2. Rubber parts shall be in Viton.
3. Case & Ring in AISI 316 SS from DN100 onwards.
4. Option 'G8' to be selected together with option 'GB'.
5. DN63 available in mounting pattern B0 and R0 only.
6. DN63 available with ¼" connections. Other connections through adaptors.