

Accessories for manometers

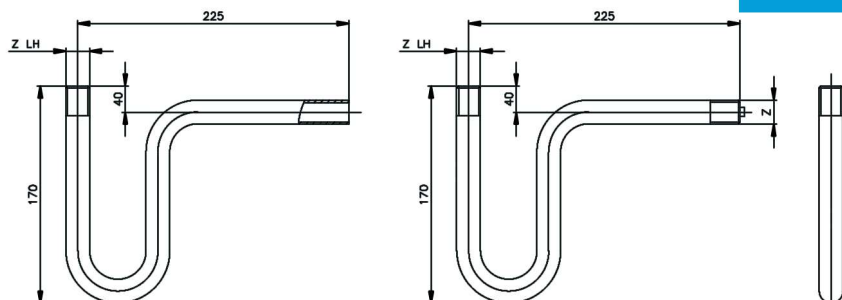
Condensation loop

Application :

Condensation loops are used to separate the pressure gauges from hot vapors. Input connection is threaded with a pin, or welding, outgoing connection is threaded (left thread) with a manometer connection.

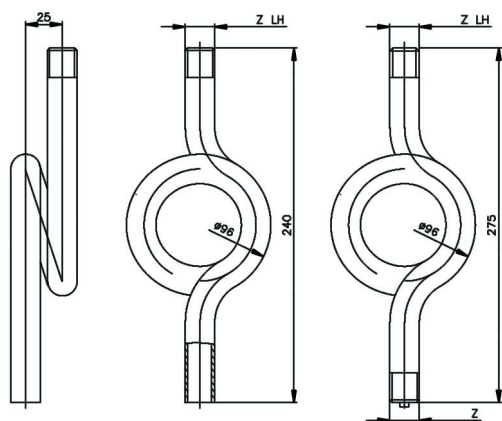


Condensation loop curved



| TYPE | Version | PN (bar) | Max. Temperature | Z | Material | |
|---------|-------------|----------|------------------|-----------------|------------------------|-----------------|
| | | | | | Loop | Connector |
| KS-ZP-O | privarovaná | 100 | 300°C | M20x1,5 (G1/2") | steel 1.0308 | steel |
| KS-ZP-N | privarovaná | 100 | 300°C | M20x1,5 (G1/2") | stainless steel 1.4571 | stainless steel |
| KS-ZC-O | s čapom | 100 | 300°C | M20x1,5 (G1/2") | steel 1.0308 | steel |
| KS-ZC-N | s čapom | 100 | 300°C | M20x1,5 (G1/2") | stainless steel 1.4571 | stainless steel |

Condensation loop coiled



| TYPE | Version | PN (bar) | Max. Temperature | Z | Material | |
|---------|-------------|----------|------------------|-----------------|------------------------|-----------------|
| | | | | | Loop | Connector |
| KS-SP-O | privarovaná | 100 | 300°C | M20x1,5 (G1/2") | steel 1.0308 | steel |
| KS-SP-N | privarovaná | 100 | 300°C | M20x1,5 (G1/2") | stainless steel 1.4571 | stainless steel |
| KS-SC-O | s čapom | 100 | 300°C | M20x1,5 (G1/2") | steel 1.0308 | steel |
| KS-SC-N | s čapom | 100 | 300°C | M20x1,5 (G1/2") | stainless steel 1.4571 | stainless steel |