

## FEATURES

- All SS measuring system
- Socket-case, direct welded
- Threaded / Flanged connection
- External zero adjustment

## APPLICATION

- Liquid & gaseous mediums
- Corrosive environments
- Oil & Gas applications
- Chemical & Petrochemical
- Food & Beverages
- Nuclear power plants

### Diaphragm



### STANDARD PARAMETERS

Accuracy	: CL 1.6
Ambient temperature	: -40...+65°C
Service temperature	: 100°C max.
Pressure limits	: Steady pressure up to FS value
	: Fluctuating pressure up to 90% of FS value
Weld joint	: TIG argon arc welding

### MATERIAL OF CONSTRUCTION

Sensing element	: Diaphragm
Case & Ring material	: AISI 304 SS (Bayonet type)
Diaphragm	: AISI 316 SS
Shank	: AISI 316L SS (Welded directly to case)
Movement mechanism	: AISI 304 SS
Dial	: Aluminum, black graduation on white background
Pointer	: Micro-adjustable, aluminum, black powder coated
Gaskets, Blow off disc & filling plug	: Neoprene
Window	: Sheet glass

### STANDARD SPECIFICATIONS

Dial size	: DN100 / DN150
Range	: -1...0...25 bar (type 1)
	: 60...600 mbar (type 2)
	: 6...40 mbar (type 3)
Mounting pattern	: Direct, Bottom connection
Process connection	: ½" NPT (M)
Ingress protection	: IP 54
Execution	: Dry

### STANDARD SPECIFICATIONS : DAMPENING LIQUID FILLED, GLYCERIN

Window	: Safety glass
Dampening liquid	: Glycerin 99.7% [Service temperature up to 65°C]

### TEMPERATURE EFFECT

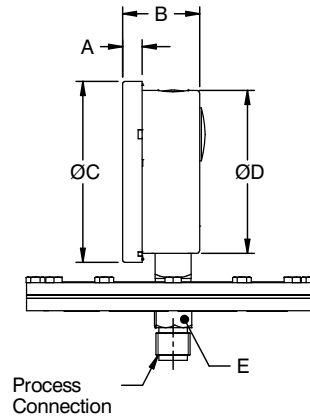
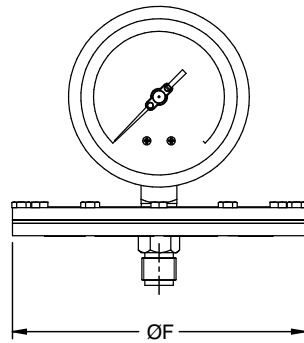
When temperature of the measuring system deviates from reference temperature (+20°C) max error  $\pm 0.4\%$  / 10K of true scale value.

## REFERENCE

EN 837-3

DIMENSIONAL DRAWING

Type B0

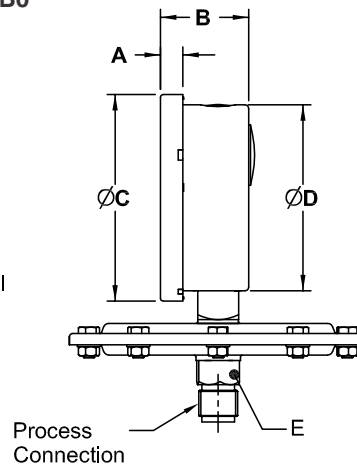
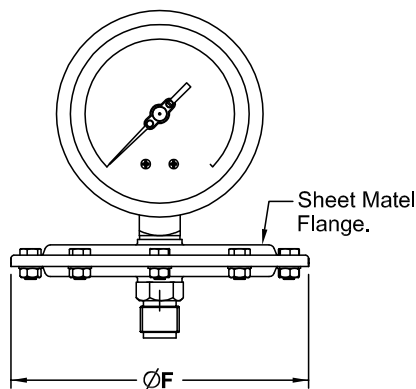


Range	DN	A	B	ØC	ØD	E	ØF	Weight (grams)
1 to 25 bar	100	12	48	111	100	A/F-22	98	1551
	150	15	48	161	149	A/F-22	98	1945

Range	DN	A	B	ØC	ØD	E	ØF	Weight (grams)
40 mbar to 600 mbar	100	12	48	111	100	A/F-22	150	2235
	150	15	48	161	149	A/F-22	150	2629

Range	DN	A	B	ØC	ØD	E	ØF	Weight (grams)
Below 40 mbar to 6 mbar	100	12	48	111	100	A/F-22	180	2914
	150	15	48	161	149	A/F-22	180	3308

Type B0



Range	DN	A	B	ØC	ØD	E	ØF	Weight (grams)
1 to 25 bar	100	12	48	111	100	A/F-22	98	810
	150	15	48	161	149	A/F-22	98	1204

Range	DN	A	B	ØC	ØD	E	ØF	Weight (grams)
40 mbar to 600 mbar	100	12	48	111	100	A/F-22	160	1583
	150	15	48	161	149	A/F-22	160	1977

Range	DN	A	B	ØC	ØD	E	ØF	Weight (grams)
Below 40 mbar to 6 mbar	100	12	48	111	100	A/F-22	180	1416
	150	15	48	161	149	A/F-22	180	1810

All dimensions are in mm.

### ORDERING CODES

#### 1. DIAL SIZE

<b>04</b>	100 mm / 4"
<b>06</b>	150 mm / 6"

**04**

#### 2. RANGE

<b>XXX</b>	Refer "Range Table"
------------	---------------------

**XXX**

#### 3. MOUNTING PATTERN

<b>B0</b>	Direct, Bottom connection
<b>B2</b>	2" Pipe/Yoke mounting, Bottom connection

**B0**

#### 4. PROCESS CONNECTION

<b>13B</b>	3/8" BSP (M)
<b>14B</b>	1/2" BSP (M)
<b>14M</b>	M20 X 1.5 mm (M)
<b>14N</b>	1/2" NPT (M)
<b>A31</b>	2" RF 150# as per ANSI B 16.5
<b>A43</b>	3" RF 150# as per ANSI B 16.5
<b>A49</b>	4" RF 150# as per ANSI B 16.5
<b>A32</b>	2" RF 300# as per ANSI B 16.5
<b>A44</b>	3" RF 300# as per ANSI B 16.5
<b>A50</b>	4" RF 300# as per ANSI B 16.5

**14N**

#### 5. INGRESS PROTECTION

<b>EV</b>	IP 54
-----------	-------

**EV**

#### 6. EXECUTION

<b>EA</b>	Dry
<b>EG</b>	Dampening liquid filled, glycerine
<b>EH</b>	Dampening liquid filled, silicon oil <sup>2</sup>

**EA**

#### 7. OTHER OPTIONS

<b>BA</b>	Case & Ring in AISI 316 SS (B0)
<b>BC</b>	Case & Ring in AISI 316 SS (B2)
<b>EN</b>	Dampening screw, AISI 316 SS
<b>GB</b>	Plexi glass
<b>GC</b>	Shatterproof safety glass
<b>GL</b>	AISI 316 SS movement
<b>RA</b>	Rubber parts, Viton
<b>RN</b>	Rubber parts, NBR
<b>RW</b>	Vent plug, ON-OFF type
<b>TA</b>	5 - point calibration certificate
<b>TC</b>	Material test certificate 3.1
<b>TM</b>	Material test certificate 2.2
<b>TO</b>	Certification for Oxygen service
<b>XF</b>	SS tag plate, AISI 304 SS
<b>XG</b>	SS tag plate, AISI 316 SS
<b>XR</b>	Custom designed dial
<b>XT</b>	Dial tag marking
<b>GZ</b>	External zero adjustment

**BA**

**Ordering Example : P602-04-XXX-B0-14N-EV-EA**

#### NOTES

1. For other connections, please contact factory.
2. Available with Ingress Protection IP54 (Dust proof).